



Semi-rigid line with 0.25" center conductor exposed.

11] Downconverter

See circuit and parts list and drawing of box Hammond 1590N1

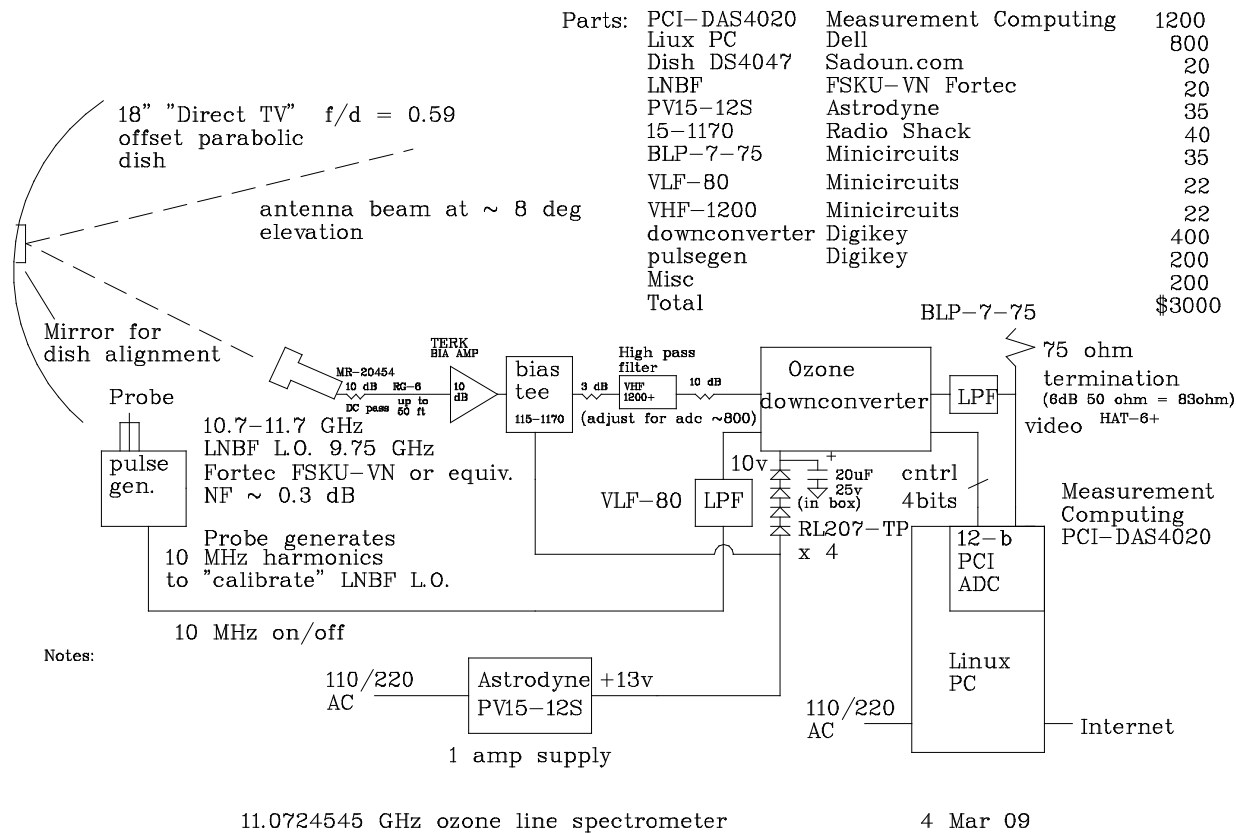


Figure 1.

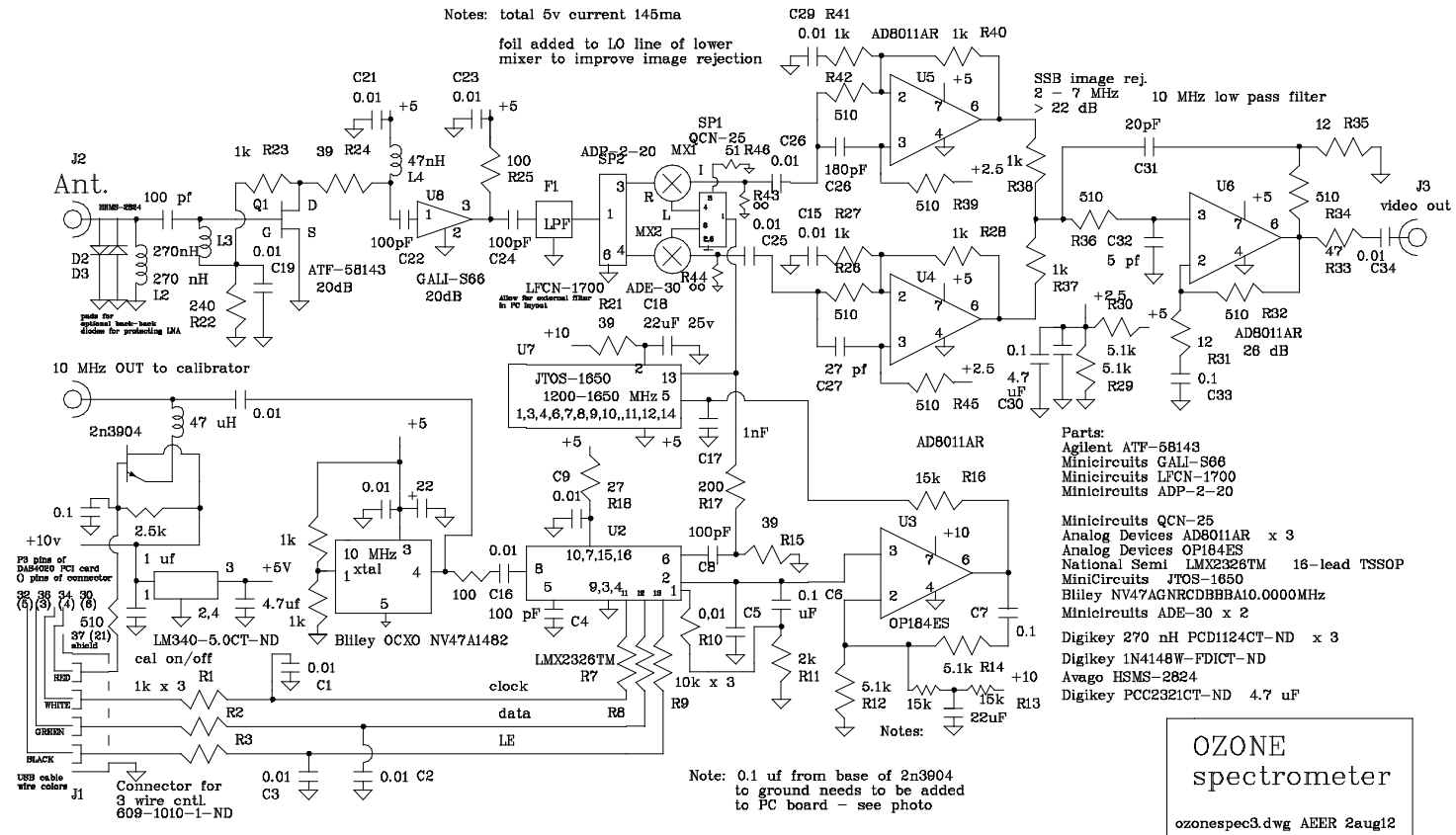


Figure 2.

